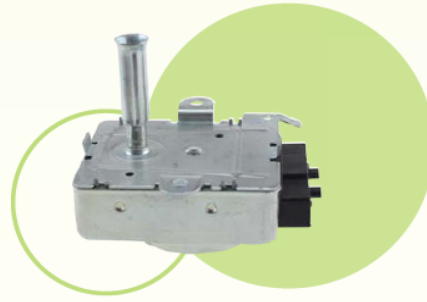


同步交流电机

AC Asynchronous Gear Motor

49TYD-750-2



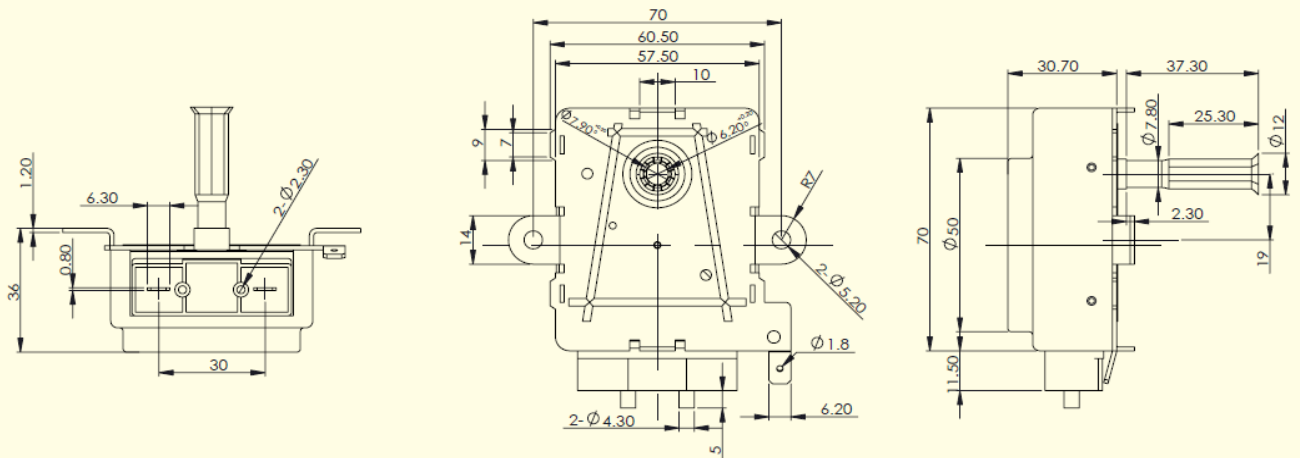
电机参数 MOTOR DATA

额定电压	Voltage	V	110	220-230
额定频率	Power Frequency	Hz	50/60	
输入功率	Input Power	W	< 6	
输入电流	Input Current	A	< 0.06	< 0.03
旋转方向	Rotation		CW/CCW	
工作温度	Operating Temperature	°C	-15~125	
温升	Coil temperature Rise	K	< 45	
绝缘等级	Insulation Class		H	
绝缘强度	Insulation Strength		AC1500/50Hz/min	

扭矩表 TORQUE SHEET

50Hz	输出转速 (Output Speed)	r/min	2
	输出转矩 (Output Torque)	Kgf.cm	12

外形图 DIMENSION



主要用途：烤箱作动力源，也可用于其它力矩较大，转速较低的恒速传动装置中。

Application: as the power of oven, gridiron, and other constant speed drive devices which is low speed and big force movement.